



# Fischer Panda<sup>®</sup>

Power wherever  
you are™

## Fischer Panda 100kW 420V 1200rpm drive

### Technical specifications:

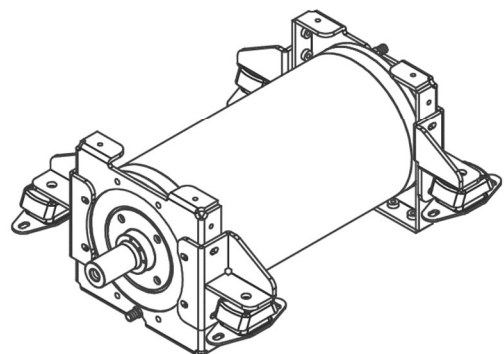
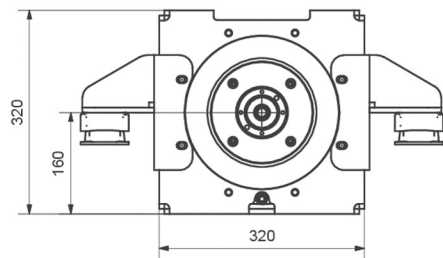
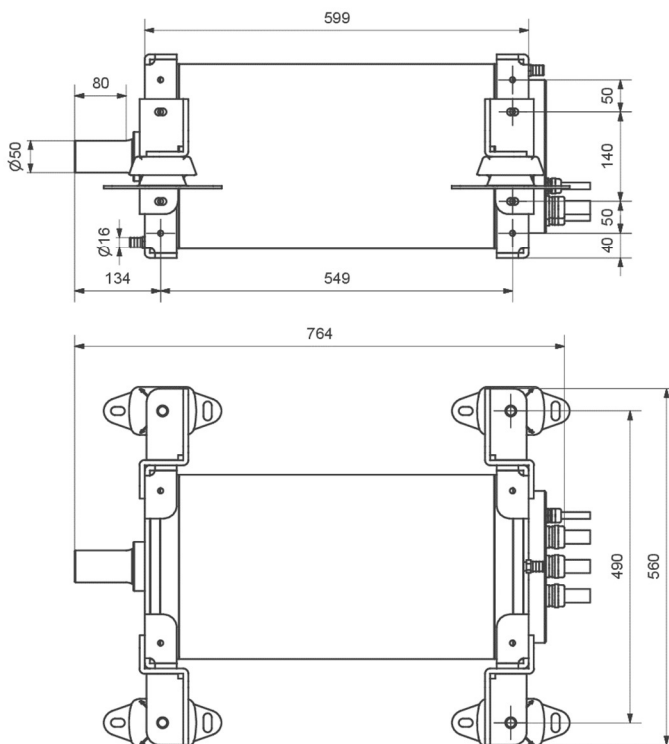
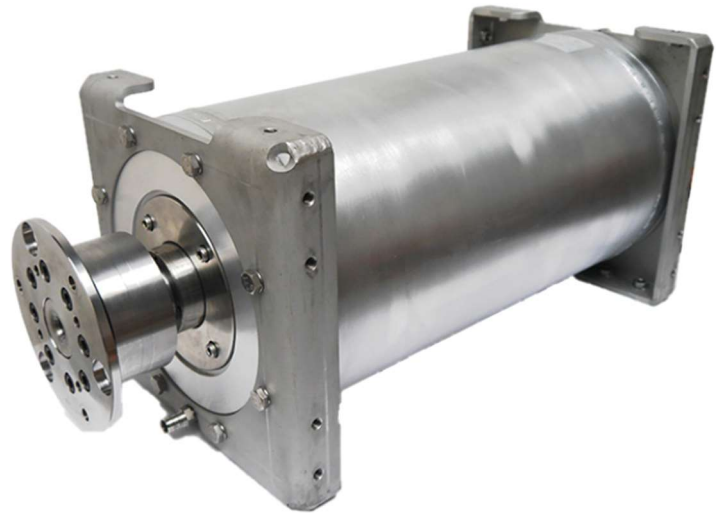
Voltage: 420V  
Input power: 106 kW  
Shaft power: 100 kW  
RPM: 1200  
Nm: 800  
Weight: 155kg

Art-No: 0015779

Our shaft motors are made of heavy duties and have a double-walled aluminum housing which is water-cooled.

They are without gear, brushless, sensorless and have no oil filling.

This makes our engines: durable, efficient and low maintenance!



**Fischer Panda GmbH**  
Otto - Hahn - Str.40  
33104 Paderborn  
Germany

contact person:  
Martin Mews  
Gerhard Hesse  
Marcel Schwarzenberg-U.

+49 5254 9202-350  
+49 5254 9202-238  
+49 5254 9202-352

  
mmews@fischerpanda.de  
ghesse@fischerpanda.de  
mschwarzenberg@fischerpanda.de