



# Fischer Panda®

Power wherever  
you are™

## Fischer Panda 20kW 48V 600rpm drive

### Technical specifications:

Voltage: 48V  
Input power: 22 kW  
Shaft power: 20 kW  
RPM: 600  
Nm: 320  
Weight: 120kg

Art-No: 0023079

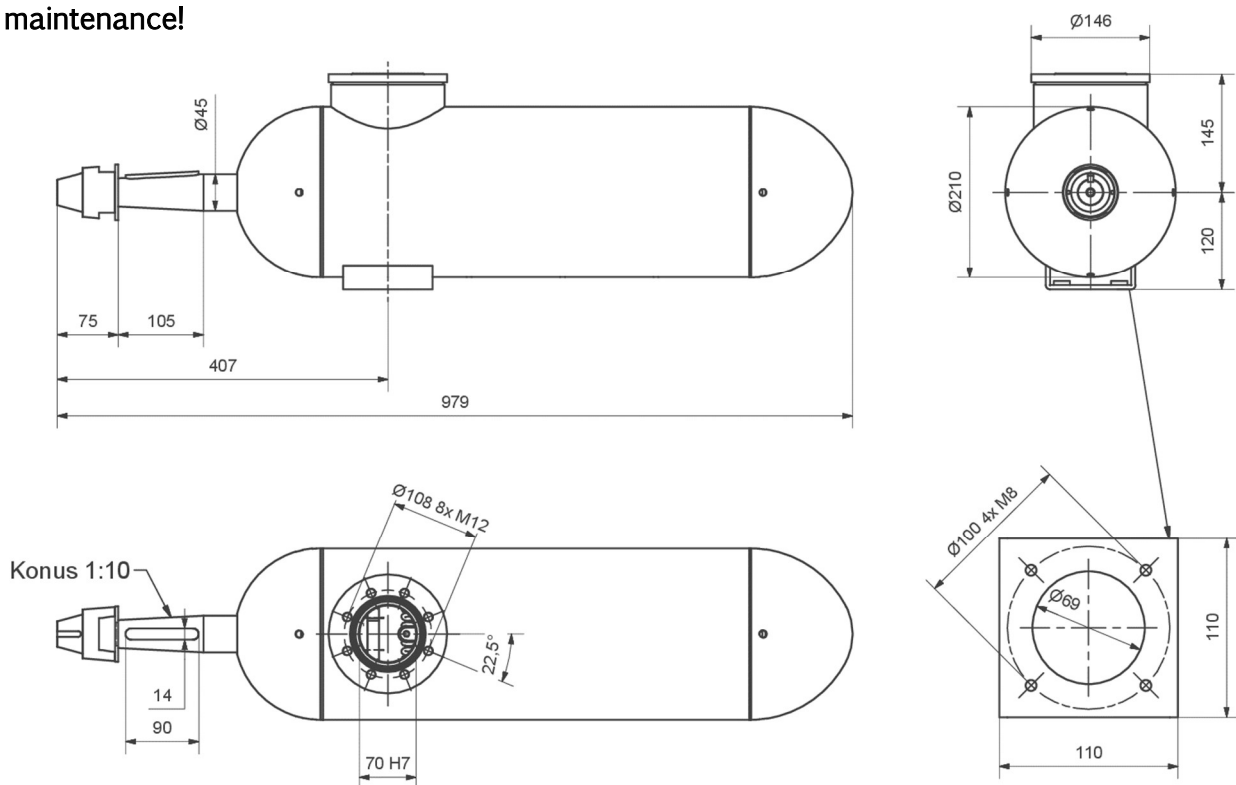
Our underwater motors are made of heavy duties and high quality V4A stainless steel, in addition, our 3-stage seal provides the highest level of safety.

Our motors are without gear, brushless, sensorless and have no oil filling.

This makes our engines: durable, efficient and low maintenance!



**Konus 1:10**  
suitable for standard propellers



**Fischer Panda GmbH**  
Otto - Hahn - Str.40  
33104 Paderborn  
Germany

contact person:  
Martin Mews  
Gerhard Hesse  
Marcel Schwarzenberg-U.

+49 5254 9202-350  
+49 5254 9202-238  
+49 5254 9202-352

  
mmews@fischerpanda.de  
ghesse@fischerpanda.de  
mschwarzenberg@fischerpanda.de