



# Fischer Panda®

Power wherever  
you are™

## Fischer Panda 10kW 48V 600rpm drive

### Technical specifications:

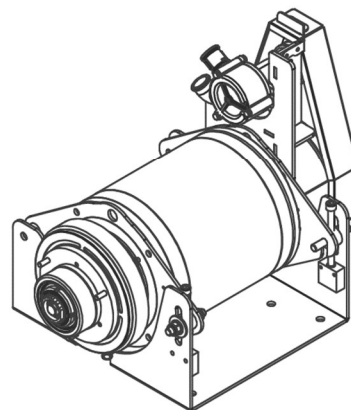
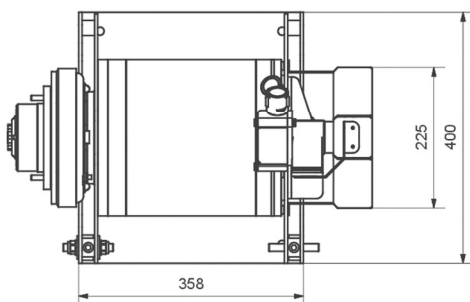
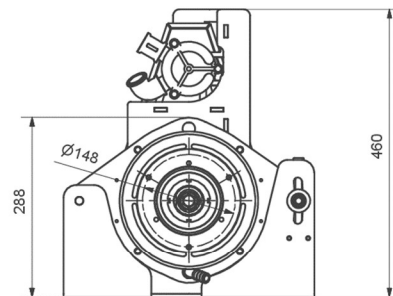
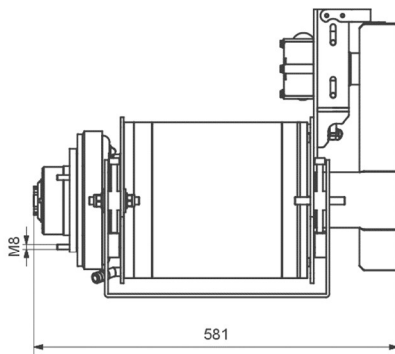
Voltage: 48V  
Input power: 11 kW  
Shaft power: 10 kW  
RPM: 600  
Nm: 160  
Weight: 88 kg

Art-No: 0017913

Our parallel hybrid motors, including a electromagnetic coupling, are made of heavy duties and have a double-walled aluminum housing which is water-cooled.

They are without gear, brushless, sensorless and have no oil filling.

**This makes our engines: durable, efficient and low maintenance!**



**Fischer Panda GmbH**  
Otto - Hahn - Str.40  
33104 Paderborn  
Germany

contact person:  
Martin Mews  
Gerhard Hesse  
Marcel Schwarzenberg-U.

+49 5254 9202-350  
+49 5254 9202-238  
+49 5254 9202-352

   
mmews@fischerpanda.de  
ghesse@fischerpanda.de  
mschwarzenberg@fischerpanda.de